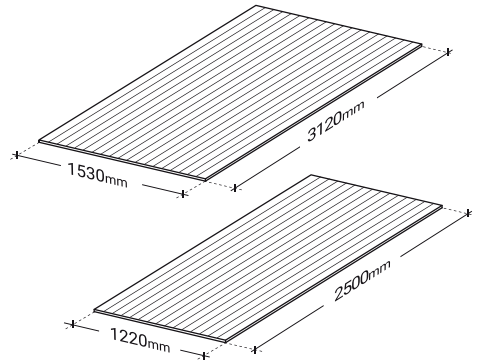


DECKINGS

Teak Decking Panels

Ready to use, the Teak Decking Panels are made using a selection of 1.0, 1.5 and 2.6 mm veneer. They are available smooth, grooved, with rubber and/or wood inlays.

- Sizes** 3120x1530 mm
2500 x 1220 mm (feasible size for multiple pieces)
- Glueing** Class 3 - E1
Melamine adhesive
Rubber inlays: no formaldehyde release
- NAF glueing upon request*



*Formaldehyde-free adhesive ensuring emission levels significantly below standard requirements.

TECHNICAL SPECIFICATIONS OF TEAK DECKING PANELS

TEAK DECKING PANELS 1,0 mm

available with 1,0 mm, 1,5 mm and 2,6 mm veneer

Thickness	Plies	Weight
mm	n°	kg/m ²
3	3	1,5
4	3	2,0
5	3	2,5
6	5	3,0
8	5	4,0
10	5	5,0
12	7	6,0
15	7	7,5
18	9	9,0
20	11	10,0

Dimensional tolerances comply with the requirements of standard EN 315. Customized thicknesses and configurations upon request.

3 mm thickness is not available with 1,5 mm Teak veneer.

3, 4, 5 mm thicknesses are not available with 2,6 mm Teak veneer.