

SANDWICH PANEL

P-Wall Ultralight™

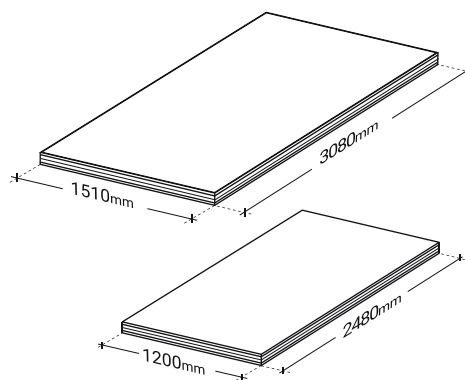
P-Wall Ultralight is the soundproofing solution for the construction of very lightweight partitions.

Sizes 3080 x 1510 mm
2480 x 1200 mm

Weight da 10,42 kg/m²

Glueing Class 3 - E1

NAF glueing upon request*



*Formaldehyde-free adhesive ensuring emission levels significantly below standard requirements.

TECHNICAL SPECIFICATIONS OF P-WALL ULTRALIGHT™

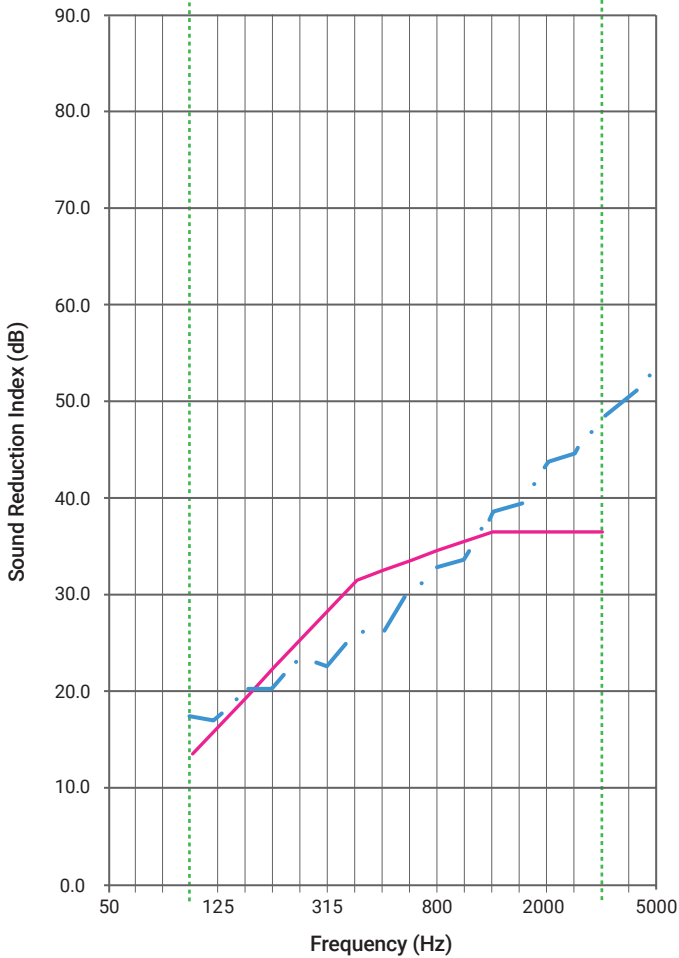
Thickness	Density	Weight	Sound reduction index
mm	kg/m ³	kg/m ²	db
41	232	10,42	31
43	244	11,38	31
45	256	12,34	32
51	235	12,94	32
61	209	13,94	33

Dimensional tolerances comply with the requirements of standard EN 315. Customized thicknesses and configurations upon request.

SOUND INSULATION

- - - Frequency range
- Value reference curve (ISO 717-1)
- . - Test result

TEST RESULTS FOR 45 mm PANEL



Frequency Hz	R 1/3 Octave db
50	0.0
63	0.0
80	0.0
100	17.8
125	17.2
160	20.6
200	20.5
250	23.9
315	23.2
400	26.5
500	27.2
630	30.2
800	33.7
1000	34.9
1250	38.4
1600	39.7
2000	43.9
2500	46.3
3150	48.5
4000	51.4
5000	53.8

Sound reduction index
 Thickness 45 mm R_w = dB
32