

SANDWICH PANEL

# Isophon SuperLight™

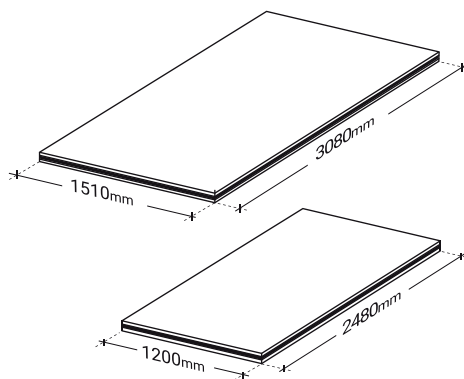
“All-in-one” composite panel offering the best combination of light weight, soundproofing and heat insulation properties.

**Sizes** 3080 x 1510 mm  
2480 x 1200 mm

**Weight** from 5,30 kg/m<sup>2</sup>

**Glueing** Class 3 - E1  
Melamine adhesive

NAF glueing upon request\*



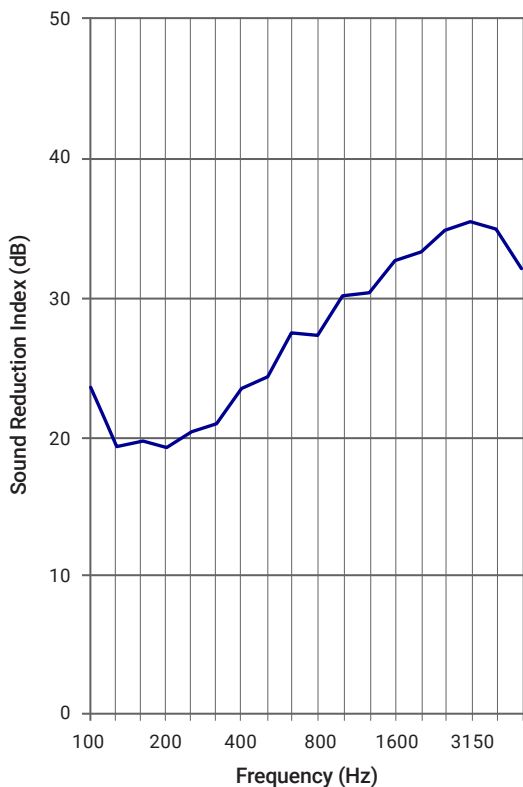
\*Formaldehyde-free adhesive ensuring emission levels significantly below standard requirements.

## TECHNICAL SPECIFICATIONS OF ISOPHON SUPERLIGHT™

Thickness mm	Configuration mm	Weight kg/m <sup>2</sup>	Bending Strength		Bending Modulus	
			Long Grain	Cross Grain	Long Grain	Cross Grain
16	3+10+3	5,3				
18	4+10+4	6,2				
20	4+12+4	6,7				
21	3+15+3	6,5				
23	4+15+4	7,4	15,0	10,2	1810	1340
24	6+12+6	8,6				
26	3+20+3	7,7				
27	6+15+6	9,4				
28	4+20+4	8,6				
32	6+20+6	10,6				
36	8+20+8	12,5				
40	10+20+10	14,4				

Dimensional tolerances comply with the requirements of standard EN 315. Customized thicknesses and configurations upon request.

## SOUND INSULATION



Sound reduction index

R<sub>w</sub> = dB

Thickness 23 mm

**30**



Thermal conductivity

UNI 7745

**1,70** W/mK