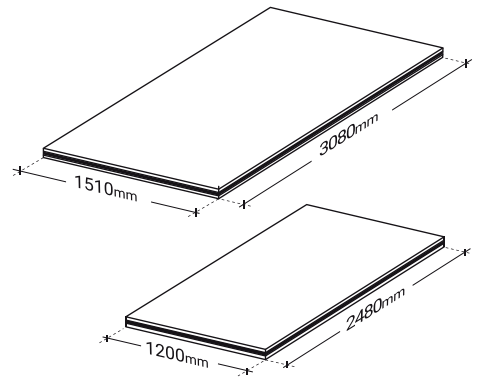


SANDWICH PANEL

Isophon Light™

The best sandwich panel for boat soundproofing without compromising on light weight.

- Sizes** 3080 x 1510 mm
2480 x 1200 mm
- Weight** from 5,40 kg/m²
- Glueing** Class 3 - E1
Melamine adhesive
NAF glueing upon request*



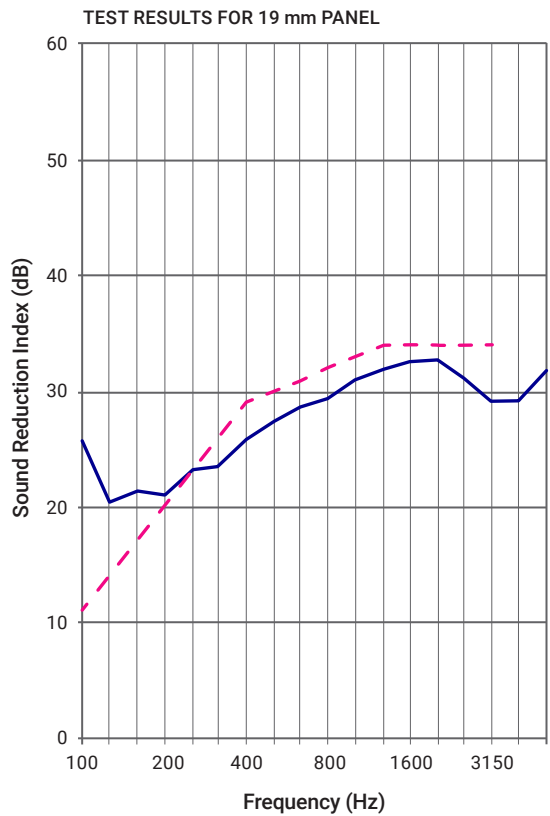
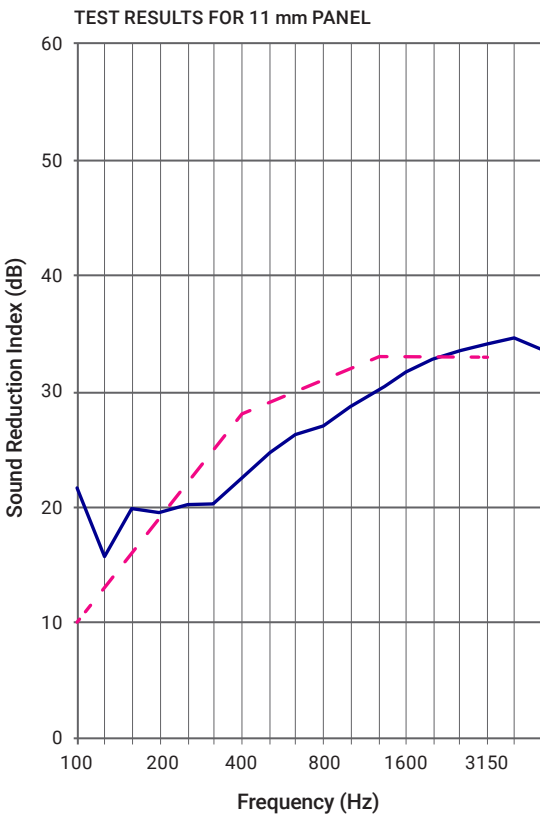
*Formaldehyde-free adhesive ensuring emission levels significantly below standard requirements.

TECHNICAL SPECIFICATIONS OF ISOPHON LIGHT™

Thickness mm	Configuration mm	Weight kg/m ²	Bending Strength		Bending Modulus	
			Long Grain	Cross Grain.	Long Grain	Cross Grain
9	3+3+3	5,4				
11	4+3+4	6,3				
13	5+3+5	7,3				
15	6+3+6	8,3	33,2	22,8	2850	1500
19	8+3+8	10,2	38,0	27,0	3000	2000
23	10+3+10	12,1				
27	12+3+12	14,0				

Dimensional tolerances comply with the requirements of standard EN 315. Customized thicknesses and configurations upon request.

SOUND INSULATION



Sound reduction index

R_w = dB

Thickness 11 mm

29

Thickness 19 mm

30