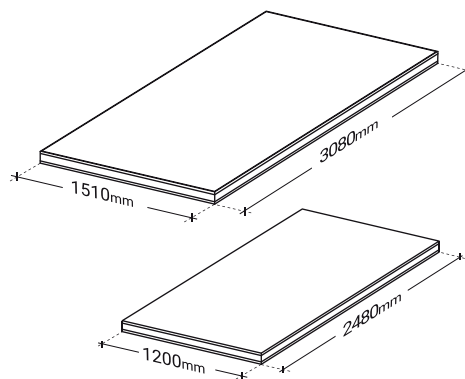


SANDWICH PANEL

Isomar™

Composite panel for marine applications, ideal for partition and structural bulkheads in boats where weight needs to be minimized.

Sizes	3080 x 1510 mm 2480 x 1200 mm
Weight	from 3,90 kg/m ²
Glueing	Class 3 - E1 Melamine adhesive NAF glueing upon request*



*Formaldehyde-free adhesive ensuring emission levels significantly below standard requirements.

TECHNICAL SPECIFICATIONS OF ISOMAR™

Thickness	Plies	Weight	Bending Strength		Bending Modulus	
			Long Grain	Cross Grain.	Long Grain	Cross Grain
mm	mm	kg/m ²	N/mm ²		N/mm ²	
16	3+10+3	3,9				
18	4+10+4	4,8				
20	4+20+4	5,0	24,6	22,2	2696	2446
21	3+15+3	4,4				
23	4+15+4	5,3				
26	3+20+3	4,9				
27	6+15+6	7,3				
28	4+20+4	5,8	24,8	27,0	3700	3550
32	6+20+6	7,8				
36	8+20+8	9,7				
40	10+20+10	11,6	18,3	25,9	2612	3624

Dimensional tolerances comply with the requirements of standard EN 315. Customized thicknesses and configurations upon request.



Thermal conductivity
UNI 7745



1,37 W/mK