

SANDWICH PANEL

Isomar Screw™

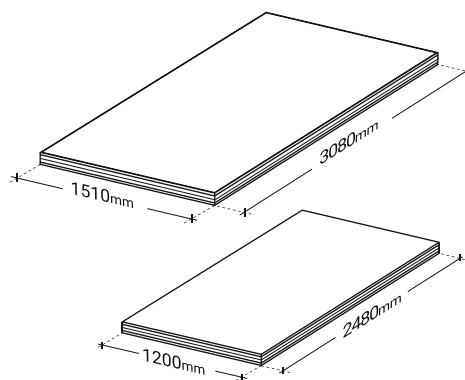
Lightweight sandwich panel designed to offer screw pullout strength, excellent for equipped bulkheads in boats.

Sizes 3080 x 1510 mm
2480 x 1200 mm

Weight from 5,20 kg/m²

Glueing Class 3 - E1
Melamine adhesive

NAF glueing upon request*



*Formaldehyde-free adhesive ensuring emission levels significantly below standard requirements.

TECHNICAL SPECIFICATIONS OF ISOMAR SCREW™

Thickness mm	Plies mm	Weight kg/m ²	Bending Strength N/mm ²		Bending Modulus N/mm ²	
			Long Grain	Cross Grain.	Long Grain	Cross Grain
24	4+6+4+6+4	7,0				
32	4+10+4+10+4	7,6				
42	4+15+4+15+4	8,4				
52	4+20+4+20+4	9,4	29,5	28,0	3200	3000

Dimensional tolerances comply with the requirements of standard EN 315. Customized thicknesses and configurations upon request.



Thermal conductivity

UNI 7745
Thickness 40 mm



1,37 W/mK



Screw holding power*

ASDM-D-1037-72a



850 N

*perpendicular to surface