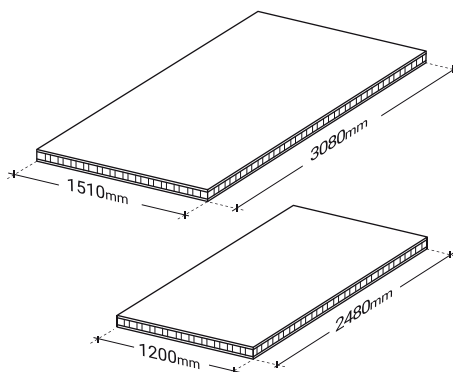


SANDWICH PANEL

Isomar HC™

Honeycomb core sandwich panel, suitable for boatbuilding with its light weight, planarity and long-term resistance.

Sizes	3080 x 1510 mm 2480 x 1200 mm
Weight	from 4,6 kg/m ²
Glueing	Class 3 - E1 Melamine adhesive NAF glueing upon request*



*Formaldehyde-free adhesive ensuring emission levels significantly below standard requirements.

TECHNICAL SPECIFICATIONS OF ISOMAR HC™

Thickness	Configuration	Weight	Bending Strength		Bending Modulus	
			Long Grain	Cross Grain.	Long Grain	Cross Grain
mm	mm	kg/m ²	N/mm ²		N/mm ²	
18	4+10+4	4,6				
21	3+15+3	4,1	38,9	35,7	3823	3394
23	4+15+4	5,0				
26	3+20+3	4,5				
28	4+20+4	5,4				
31	3+25+3	4,9				
33	4+25+4	5,8				
40	10+20+10	11,2				

Dimensional tolerances comply with the requirements of standard EN 315. Customized thicknesses and configurations upon request.