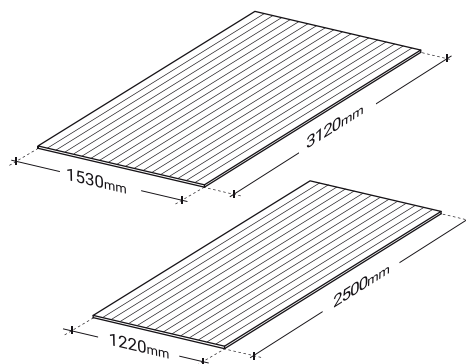


DECKINGS

Iroko Decking panels

Iroko Decking Panels are an affordable alternative, largely appreciated for flooring and decks. They are available smooth, grooved, with rubber and/or wood inlays.

- Sizes** 3120x1530 mm
2500 x 1220 mm (feasible size for multiple pieces)
- Glueing** Class 3 - E1
Melamine adhesive
Rubber inlays: no formaldehyde release
- NAF glueing upon request*



*Formaldehyde-free adhesive ensuring emission levels significantly below standard requirements.

TECHNICAL SPECIFICATIONS OF IROKO DECKING PANELS

IROKO DECKING PANELS
available with 2,2 mm veneer

Thickness	Plies	Weight
mm	n°	kg/m ²
6	3	2,9
8	5	3,9
10	5	4,9
12	7	5,9
15	7	7,4
18	9	8,8
20	11	9,8

Dimensional tolerances comply with the requirements of standard EN 315. Customized thicknesses and configurations upon request.