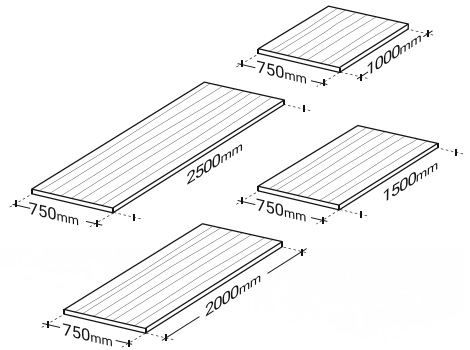


Beech Plywood

Boasting excellent resistance and long life, Beech Plywood with 40 mm thickness is the most suitable material for industrial applications.

- Sizes** 2500 x 750 mm
2000 x 750 mm
1500 x 750 mm
1000 x 750 mm
- Weight** 750 kg/m³
- Glueing** Class 1 - E1, EN 314 regulations
Urea adhesive



TECHNICAL SPECIFICATIONS OF BEECH PLYWOOD

Thickness mm	Plies n°	Weight kg/m ²	Bending Strength N/mm ²		Bending Modulus N/mm ²	
			Long Grain	Cross Grain	Long Grain	Cross Grain
40	17	30,0	73,0	62,0	8400	6200

Dimensional tolerances comply with the requirements of standard EN 315. Customized thicknesses and configurations upon request.

