

Data Sheets



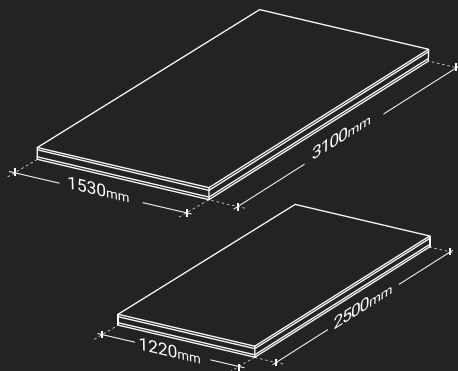
SANDWICH PANEL

Isomar PVC™

Sizes 3100 x 1530 mm
2500 x 1220 mm

Weight from 3,60 kg/m²

Gluing Class - E1
Melamine adhesive
E0 Class if faces are made with
RINA Okoume
Components Gluing E0



TECHNICAL SPECIFICATIONS OF ISOMAR PVC™

Thickness	Configuration	Weight	Bending Strength		Bending Modulus	
			Long Grain	Cross Grain	Long Grain	Cross Grain
mm	mm	kg/m ²	N/mm ²		N/mm ²	
16	3+10+3	3,6				
18	4+10+4	4,6				
20	4+12+4	4,7				
21	3+15+3	4,0				
23	4+15+4	5,0				
26	3+20+3	4,4				
27	6+15+6	6,9				
28	4+20+4	5,3	24,8	27,0	3700	3550
31	8+15+8	8,8				
32	6+20+6	7,3				
36	8+20+8	9,2				
40	10+20+10	11,1				
50	10+30+10	11,9				

Dimensional tolerances comply with the requirements of standard EN 315. Customized thicknesses and configurations upon request.



Thermal conductivity

UNI 7745



1,37 W/mK

NOTES

A series of horizontal dotted lines for writing notes, starting below the 'NOTES' header and extending to the bottom of the page.