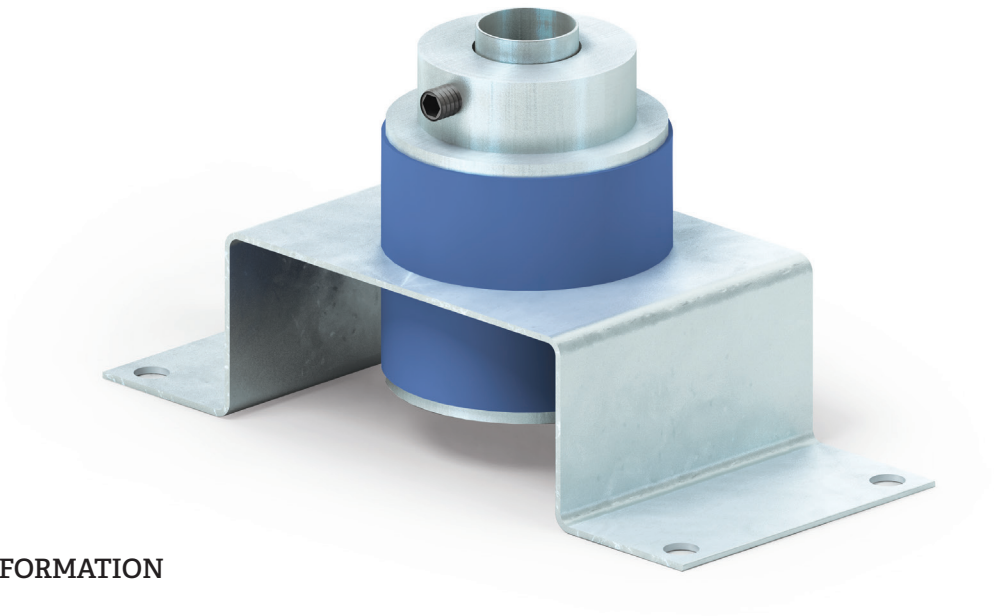


TECHNICAL DATA SHEET

V-Block

The brand new resilient mount for ceiling and partition wall installation on bulkheads and decks that reduces vibrations.



GENERAL INFORMATION

V-Block is the new mount developed to reduce vibrations transmitted through the structure of the ship or vessel.

This prevents them from reaching finishing panels of bulkheads and ceilings, thus minimizing noise generation.

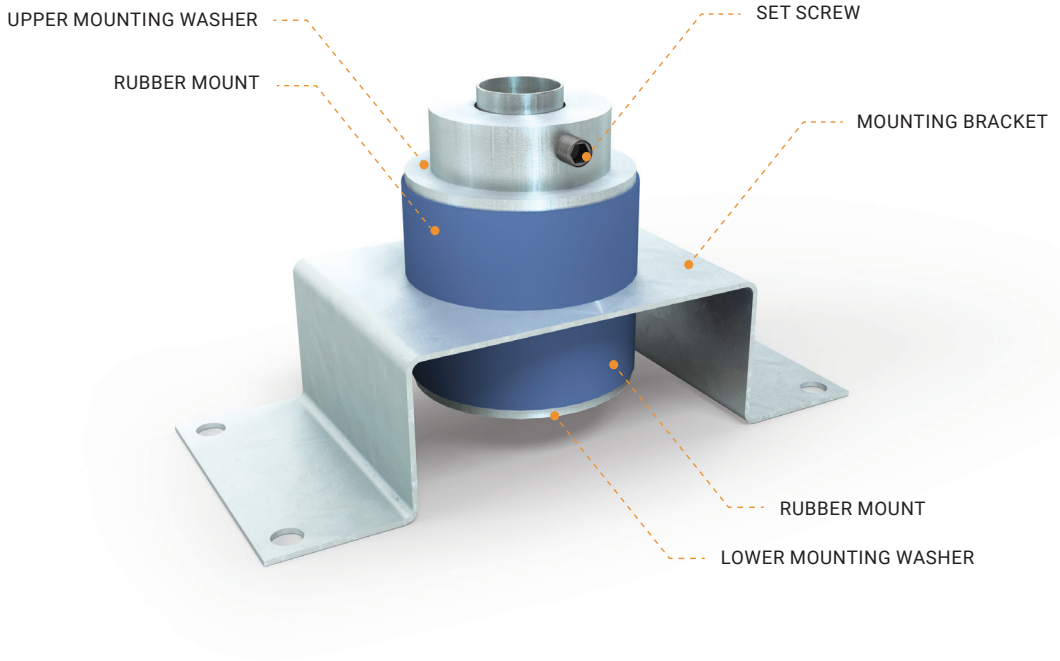
V-Block is based on a steel structure on which a rubber mount is assembled.

It can be easily installed and, if the need be, quickly dismantled in order to reach cables, pipes and other parts.

The shape of V-Block can be customized to meet the Customer requirements.

ADVANTAGES AND MAIN FEATURES

- Made of solid galvanized steel
- Lightweight
- Easy to install
- Vibration damping
- Customizable shape upon request



VIBRATION DAMPING PERFORMANCE

